

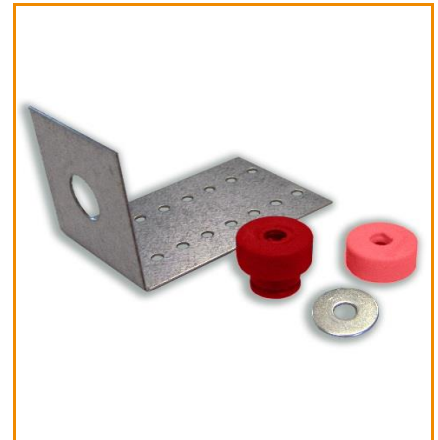
### TECHNICAL DATA

Redfix L

Antivibration hangers for walls and ceilings

#### Technical specification

"L" shaped decoupling hanger for metal studs in gypsumboard wall linings, with dimension 50 mm x 50 mm (base) and length ... mm, with an antivibration rubber mount and washer.

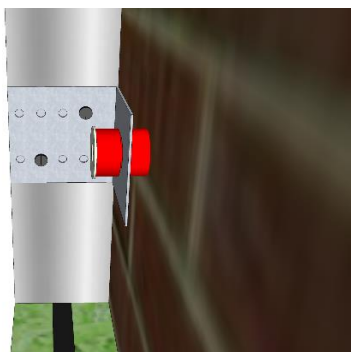


- Complete separation between vertical structure and base wall
- High acoustic and mechanical performance
- Suitable for all supporting base walls

PHYSICAL CHARACTERISTICS	Standard	Unit	L50	L60	L80	L100	Tolerance
Base dimension		mm	50 x 50				± 1%
Length		mm	50	60	80	100	± 1%
Thickness of antivibration support		mm	10				± 1%
Weight (including antivibration support)		g	45	49	57	64	± 5%
Colour			steel/red				

TECHNICAL AND PHYSICAL CHARACTERISTICS	Standard	Unit	L50	L60	L80	L100	Tolerance
Antivibration support							
Hardness	ASTM D2240	Shore A	45				-
Density	ASTM D792	kg/m <sup>3</sup>	1030				-
Tensile strength at break	ASTM D412-C	MPa	3,3				-
Elongation at break	ASTM D412-C	%	650				-
Mounting bracket							
Thickness			10/10				-
Washer							
External diameter		mm	24				-
Hole diameter		mm	8				-

#### INSTALLATION INSTRUCTIONS



Install the steel structure at a distance of 1 cm from the base wall. Make holes in the chosen points for fastening; the hole should be positioned at 25 mm from the back of the vertical stud. Place Redfix L on the hole and fix it with a proper mechanical fastening; the anchor system should be chosen according to the typology of the base wall. Fasten Redfix L to the vertical steel stud with wafer head drywall screws .

The suggestions and technical information given above represent our knowledge regarding the properties and the product's uses. ISOLGOMMA reserve the right to modify or update this data without prior notice. This document is the property of ISOLGOMMA and all rights are therefore reserved.



TECHNICAL DATA

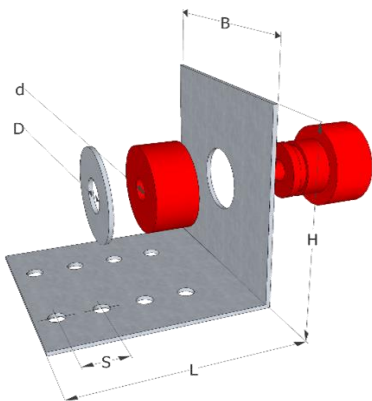
Redfix L

Antivibration hangers for walls and ceilings

DIMENSION AND MOUNTING

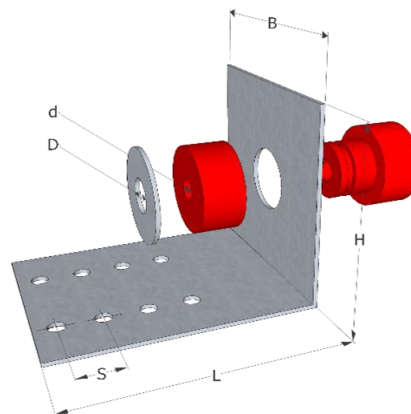
Isolfix L 50

B x H = 50 x 50 mm; S = 10 mm; L = 50 mm  
 D = 8 mm; d = 6,5 mm



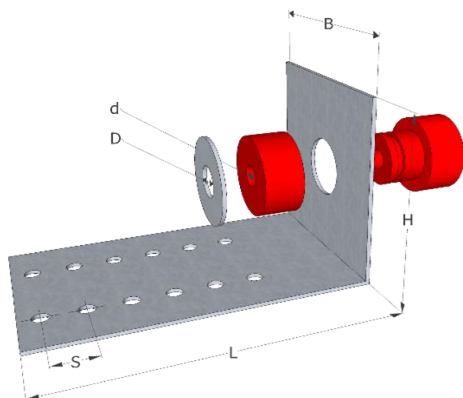
Isolfix L 60

B x H = 50 x 50 mm; S = 10 mm; L = 60 mm  
 D = 8 mm; d = 6,5 mm



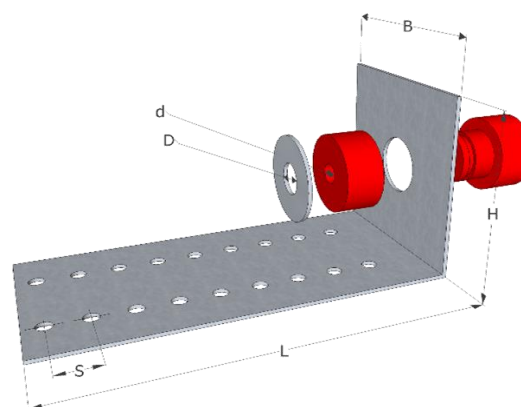
Isolfix L 80

B x H = 50 x 50 mm; S = 10 mm; L = 80 mm  
 D = 8 mm; d = 6,5 mm



Isolfix L 100

B x H = 50 x 50 mm; S = 10 mm; L = 100 mm  
 D = 8 mm; d = 6,5 mm



The suggestions and technical information given above represent our knowledge regarding the properties and the product's uses. ISOLGOMMA reserve the right to modify or update this data without prior notice. This document is the property of ISOLGOMMA and all rights are therefore reserved.